

QUANTUM

palatite®

patented world-wide

**THE UNIVERSAL
BUILDING AID**



Production + Distribution: **euro-system**, Scheibenbergstr. 17
D-76189 Karlsruhe, Phone 07 21/57 2900, Fax 07 21/57 9694

THE PROBLEM:

Modern architecture supports people in extending their living environment on balconies, terraces and flat roofs. The rigid connection between tiles and construction layers below can cause problems. Wear and tear by sun, water and frost (varying expansion coefficients, flushing and rising) when applying conventional laying techniques, leads to cracks, leakiness and sagging of the covering. Combined with plants growing in the joints, high sequential and repair costs are inevitable.



Extended constructional physical findings have proved that tiles must be separated from the substructure and the adjoining constructional parts. We have, therefore, constructed

an elasticated tile support which has proved itself world-wide and has only advantages to offer:

t h e P P - S y s t e m .



THE SOLUTION: (PP = Tile Support)



The PP - System is a tile support - made of plastic (polyethylene) which is dimensionally stable, not susceptible to fatigue, and weather resistant - which separates the tiles from the substructure. Compatibility exists with all other building materials. We can offer tile supports of 15 mm and 45 mm height as well as an adjustment tile. Our tile support is placed onto the intersection point of the joints, the upper cams (15 mm high) working as spacers and thus ensuring an even joint pattern. Joints are kept open, water can flow away under the tiles.

The picture on the right shows a border and completion possibility for maximum pressure. In this case the tile supports are not halved but used whole and the diagonally opposite spacers (cams) are removed (they are 90mm high in this picture).



Nominal break markings facilitate splitting up of tiles according to requirements. There is no wastage as each broken-off unit can be reused (spacers remain intact when split up). At the same time thickness tolerances of tiles can be adjusted by mounting adjustment tiles. The PP-System is unsurpassed with regard to easy operating and economy. Cost saving approx. 35 %.

Any height attainable



Another unique feature of the PP tile support is the simple way in which any height can be obtained by stacking the tile supports. Unevenness or existing slopes can be compensated or new slopes created. PP tile supports are laid in a jiffy.





PP offers you a low structural pressure when compared with the heavy conventional laying methods for terraces and flat roofs. In addition, the living comfort is increased by a decisive improvement in the footfall sound attenuation. Material fatigue in the substructure is also substantially slowed down by the thermal insulation of the PP-System.

The best recommendations of a product come from its practical use:
At the Cultural and Congress Centre in Sofia (1980), in an area of 7 000 m², over 30 000 tile supports (PP 155 15) lie under the marble tiles of this prestige water display installation.



The fundamental part as well as the adjustment disc have nominal breaking lines and are easily divided up for use in corners and borders.

Laying in and around corners



Terrace of a Café in Italy



With the PP-System, the joints remain open, water runs off under the tiles. This undersurface drainage ensures a dry walking surface. In addition, a self-cleaning effect is achieved on the tile surface. Differences in elevation which used to be necessary are now superfluous as the water runs off under the tiles.



You can enlarge the distance between tiles and substructure by stacking our standard tile supports or using our special model of 45 mm height. This leaves you the possibility for subsequent laying of circuits, cables and pipes, quickly and without any problems. Leaks in the roof sheeting or connections are easily localised with the aid of the PP-System. Expenditure for labour and material is comparatively low.



Replacement of defective tiles, the entire tile covering, or a change in the laying pattern are possible at any time and can be carried out without any problems, each PP remaining reusable.

Objects of Reference in 5 Continents:

Greece:

Goethe-Institute, 1 250 m²

Austria:

Avanti Hotel Semmering, Steiermark

1 200 m², 12 000 pieces of PP laid

Old People's Home Tulln, Lower Austria

40 Balconies 1 000 m², 10 000 pieces of PP laid

France:

Ranst, 5 000 m², 40 000 pieces of PP laid

Holland:

Rijksuniversiteit Multifunctioneelcentrum

Groningen, approx. 1 000 m² roof terrace

Flatgebouwen Tussenmeer Amsterdam

approx. 800 m² Galerien

Saudi Arabia:

Al Jobail Housing, Dammam 1979,
250 000 m²

Qatar

General Post Building, Doha,
2 000 m²

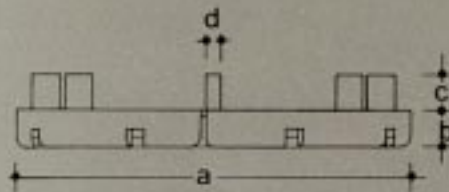
Stuttgart Berkheim
Special School Centre
1974, 7 500 m²



TECHNICAL DATA

Product No. PP 155 15
PP 155 45 AS 3/15

- a) \varnothing of PP 155 mm
- b) height 15 mm/45 mm
- c) height of distance spacers 15 mm
- d) spacer width 4 mm
- bearing area 120 cm²
- adjustment disk AS 3 mm



Divisible into 1/4, 1/2, 3/4 pieces, stackable, no wastage; particularly good footfall sound attenuation.

For laying one square metre of concrete tiles you will require

Concrete Tile Dimensions	No. of PP Tile Supports
50 x 50 cm	4 pieces
40 x 60 cm	4,2 pieces
40 x 40 cm	6,25 pieces
30 x 30 cm	11 pieces



PP 155 15
Standard Model



PP 155 45
Special Height



AS 3/15
Adjustment Disc

Packing Dimensions:

Art. No.	Packing Dimensions
PP 155 15	620x310x480 mm
PP 155 45	620x310x480 mm
AS 3/15	350x300x470 mm



Weight per Carton:

155 15	1 carton	15,5 kg	250 p.
155 45	1 carton	11 kg	80 p.
AS 3/15	1 carton	11 kg	500 p.

Testing Process:

Temperature of Testing Sample °C	max. Force N	Crusher Path mm
80	4100	3,4
	4000	2,9
	4050	3,3
x ± s	4050 + 50	3,2 + 0,3
60	5070	3,1
	5600	3,5
	5630	3,2
	6040	3,3
	5350	3,1
x ± s	5540 + 360	3,2 + 0,2
50	7190	3,4
	6600	3,4
	6200	3,1
	x ± s	6660 + 500

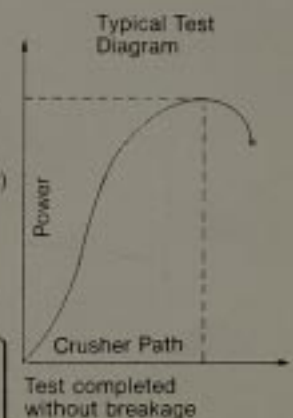
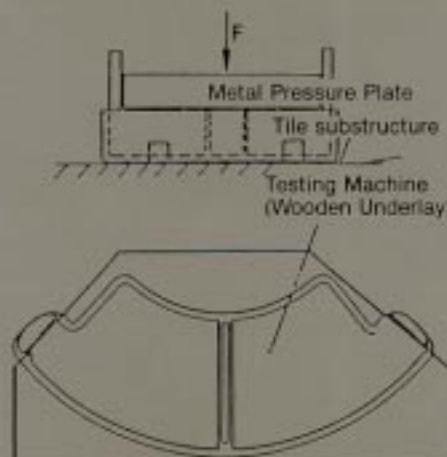
Loading Capacity 1200 kg 1PP

Constant Heat +90°C

Constant Cold -50°C

UV stabilised 2.5% dark coloured

Oil and acid resistant and compatible with all building materials such as bitumen, PVC, PIB, ECB, elastomere



PLATTEN **platt**



**FAST
SERVICE
WORLD-WIDE**



Technical Centre
Vienna 1978/79
35 000 pieces PP



Residentie Hertogenpark
Antwerp, Belgium 1980
30 000 pieces PP



Educational Centre
Munich
25 000 pieces PP

